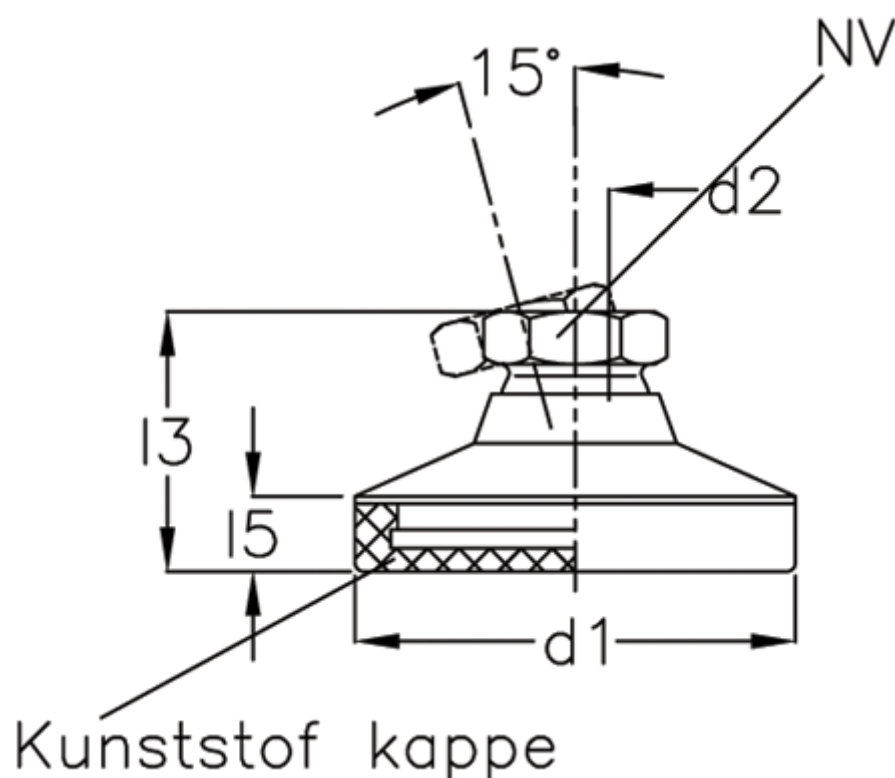


Article number: 20343540M12KRE
Description: E+G levelling foot
GN 343.5-40-M12-KRE

Measures



d1	= 40
d2	= 12
l3	= 27.5
l5	= 7.5
NV	= 17
Static load (N)	= 30
t min	= 11.5